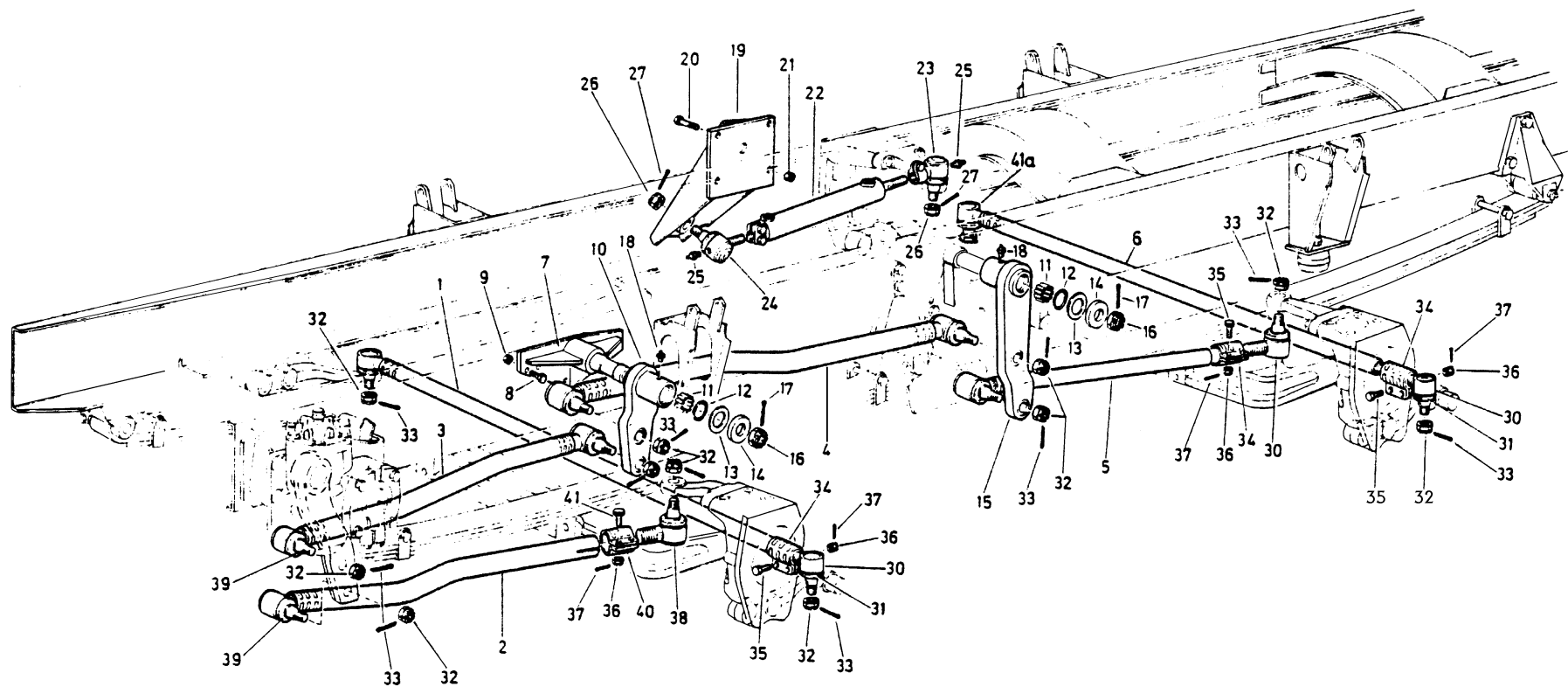
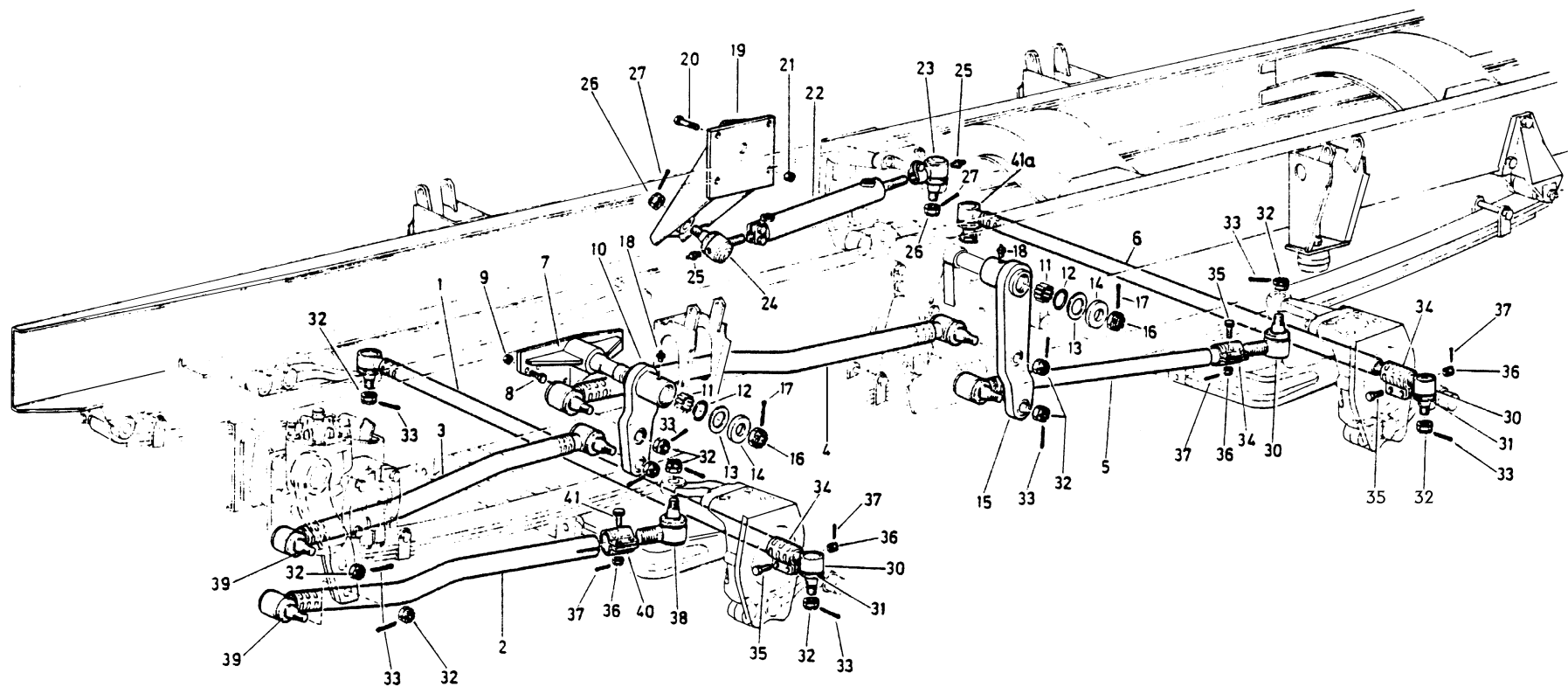


No	Number of part	Quantity	Description	Applicability	Designation	名称	Remark
1	AZ9100430211	1			Drag link	转向直拉杆总成	
1	199100430030	1		For 12.00R24 tire	Drag link	转向直拉杆总成	For drive left, right
1	WG9100430011	1		For drive right	Drag link	转向直拉杆总成	
2	AZ9100430218	1			Tie rod cross tube assembly	转向横拉杆总成	
6	Q387B20T15	1			Castle nut	六角开槽薄螺母	
7	Q5004036	4			Cotter pin	开口销	



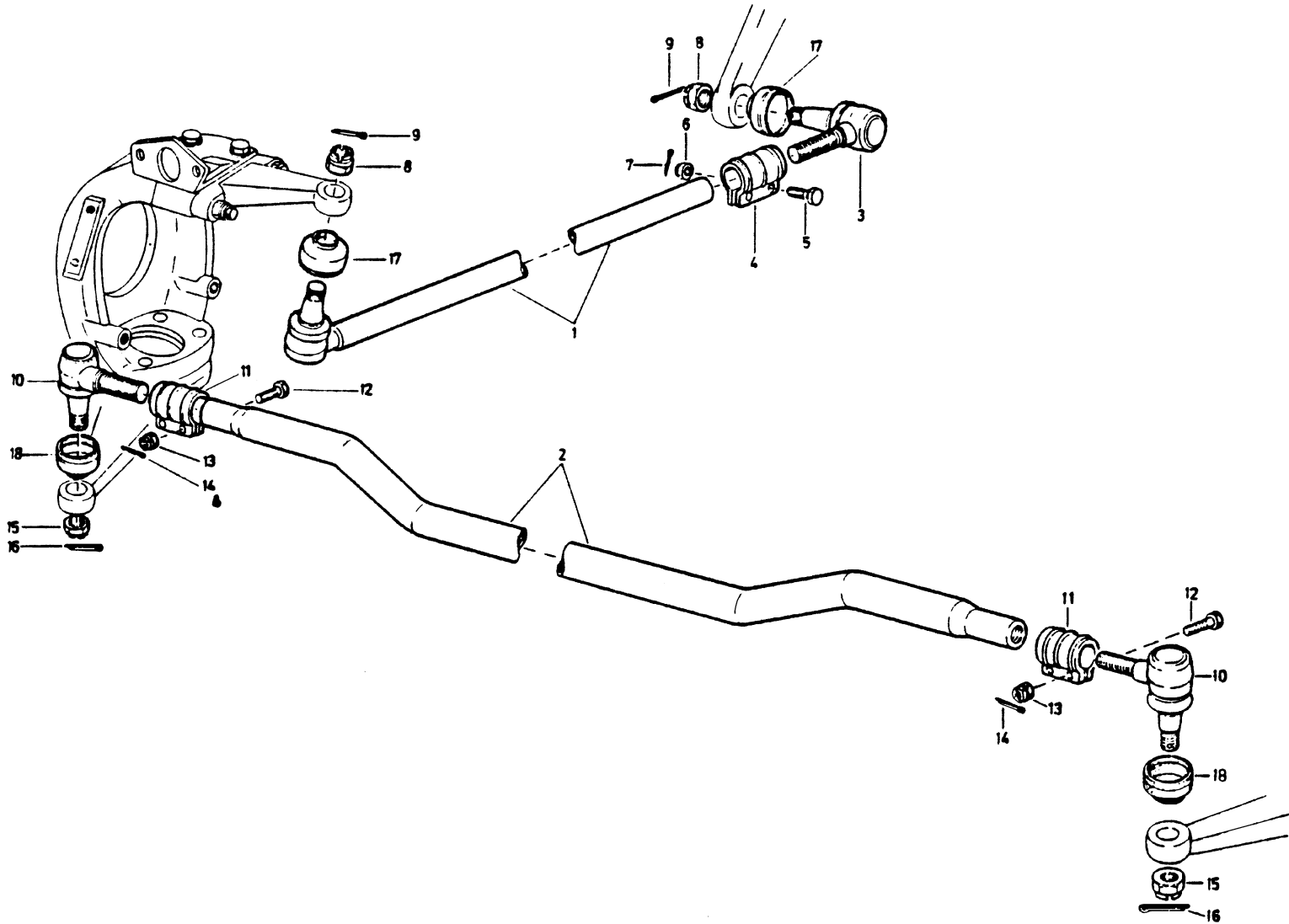
No	Number of part	Quantity	Description	Applicability	Designation	名称	Remark
1	199018430006	1			Tie rod cross tube	转向横拉杆	
2	199018430002	1			Drag link	转向直拉杆 40	
2	AZ9638430010	1		For 12.00R24 tire	Drag link	转向直拉杆	
3	199018430003	1			Tie rod	转向中间拉杆 40	
4	199018430004	1			Tie rod	转向中间拉杆 40	
5	199018430005	1			Tie rod straight tube	转向直拉杆	
6	AZ9100430118	1			Tie rod cross tube assembly	转向横拉杆带夹箍总成	
7	199118470015	1			Plate assembly	支板总成	
8	Q151B1445	6			Cap screw	六角头螺栓	
9	Q33014	6			Lock nut	自锁螺母	
10	199018470011	1			Plate assembly	柄杆总成	
11	WG90 410228	4			Bearing	滚针轴承(HK4020A)	
12	1880 340023	4			"O" seal	Q形密封圈	
13	199018470014	4			Shim	轴承垫圈	
14	199018470015	2			Shim	垫圈	
15	WG9018470016	1			Plate assembly	柄杆总成	
16	190003872383	2			Castle nut	六角槽形扁螺母	
17	Q5006350	2			Cotter pin	开口销	
18	190003963612	2			Grease fitting	米制单螺纹滑脂嘴	
19	199018510018	1			Bracket assembly	托架总成	
20	Q151B1445	4			Cap screw	六角头螺栓	
21	Q33014	2			Lock nut	自锁螺母	
22	WG9014470008	1			Dynamic cylinder	动力缸	
23	199018470025	1			Tie rod end	球接头	
23	AZ9118470025	1			Tie rod end assembly	球接头总成	
24	199018470024	1			Tie rod end	球接头	



No	Number of part	Quantity	Description	Applicability	Designation	名称	Remark
24	AZ9118470024	1			Tie rod end assembly	球接头总成	
25	190003963112	1			Grease fitting	米制单螺纹滑脂嘴	
26	Q387E20T15	1			Castle nut	六角开槽薄螺母	
27	Q5004036	1			Cotter pin	开口销	
32	Q387E20T15	2			Castle nut	六角开槽薄螺母	
33	Q5004036	2			Cotter pin	开口销	
34	199118470037	1			Clamp	夹紧环箍	
35	Q151C1255	1			Cap screw	六角头螺栓	
36	Q341C12	1			Lock nut	六角螺母	

转向拉杆

驱动前桥 7



No	Number of part	Quantity	Description	适应机型	Designation	名称	Remark
1	AZ9100430014	2		6×6 4×4	Drag link	转向直拉杆	
2	AZ9100430021	1		6×6 4×4	Tie rod	转向横拉杆	
3	199100430701	1		6×6 4×4	Ball pin kit	球头销组件	
4	199100430703	1		6×6 4×4	Adjusting adaptor kit	调节接头组件	
8	190003872369	2		6×6 4×4	Nut	六角槽形扁螺母(细牙)	
9	Q5005040	2		6×6 4×4	Split pin	开口销	
10	199100430704	2		6×6 4×4	Ball pin kit	球头销组件	
11	1589G 430718	2		6×6 4×4	Adjusting adaptor	调节接头	
15	190003872369	2		6×6 4×4	Nut	六角槽形扁螺母(细牙)	
16	Q5005040	2		6×6 4×4	Split pin	开口销	
17	199100430702	2		6×6 4×4	Sealant - cover	密封套	
18	199100430719	2		6×6 4×4	Sealant - cover	密封套	